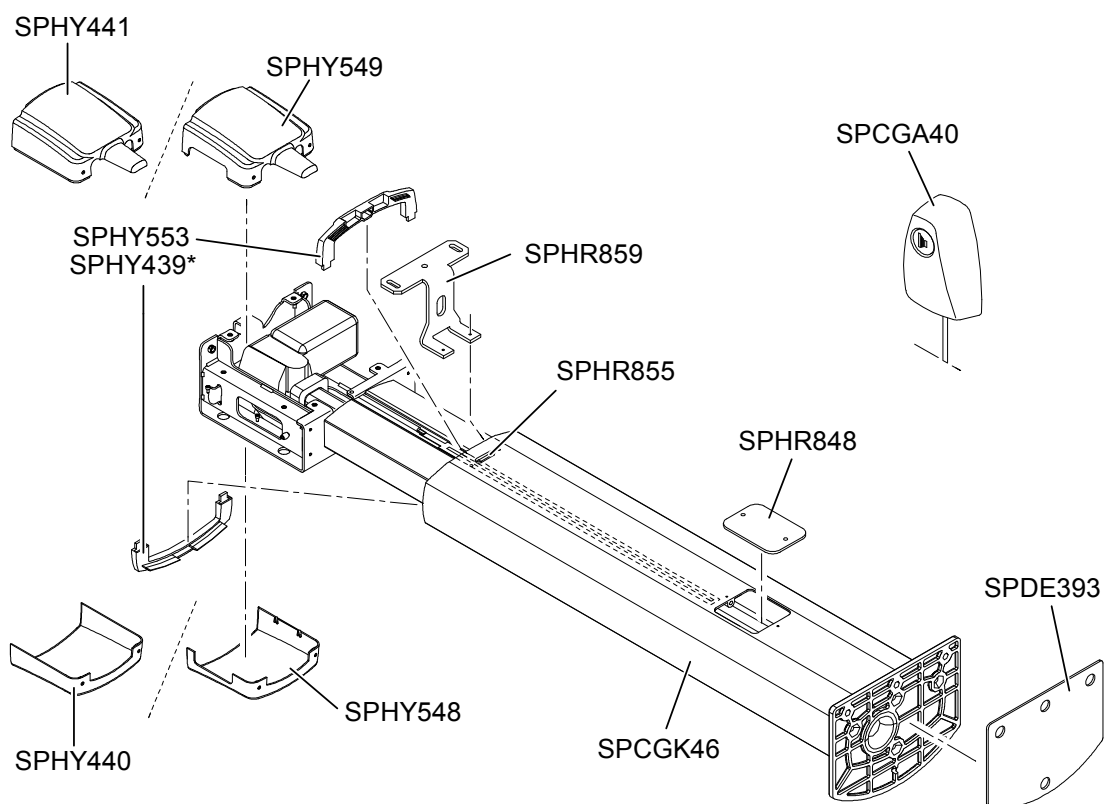


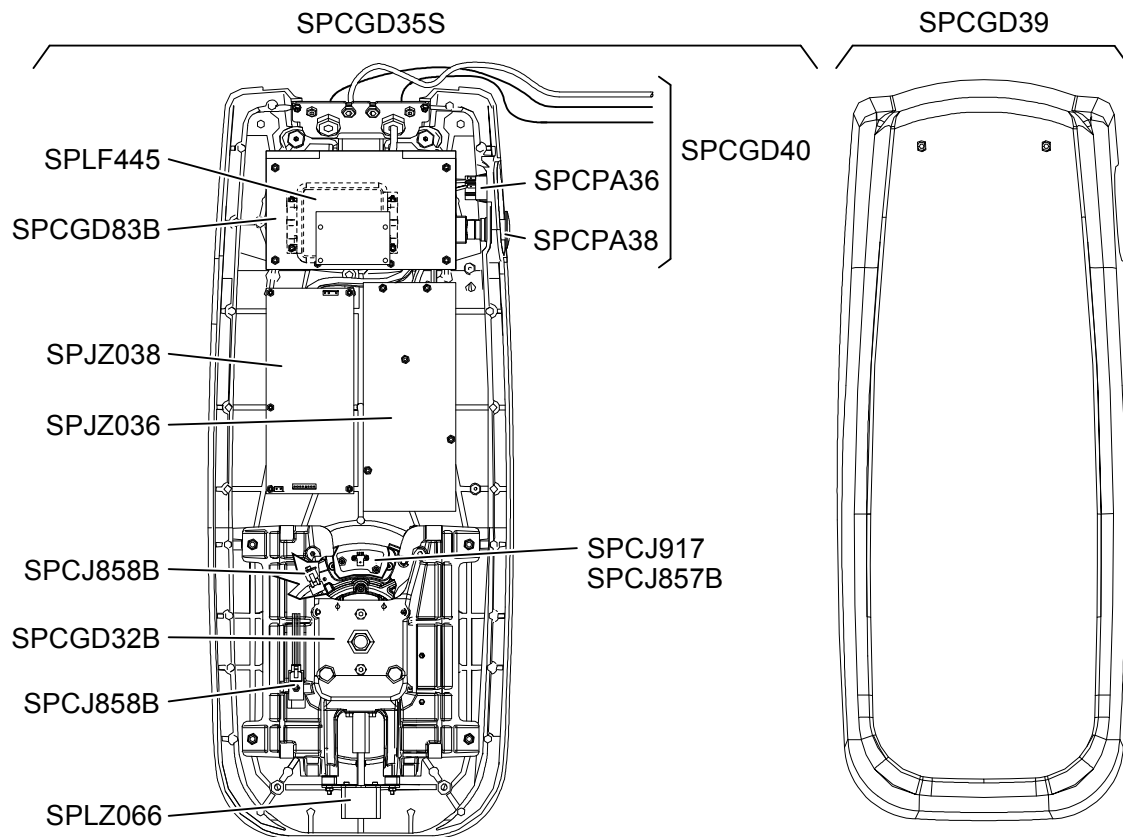
CS 8100 Family Spare Parts

Column Spare Parts for CS 8100 and CS 8100SC



Part Number	Spare Part Name
SPHY441	Column rear cover for CS 8100 without scan ceph
SPHY549	Column rear cover for CS 8100SC with scan ceph
SPHY553	Column space fillers for column serial numbers xIHxxx
SPHY439*	Column space fillers for column serial numbers xIBxxx
SPHY440	Column front cover for CS 8100 without scan ceph
SPHY548	Column front cover for CS 8100SC with scan ceph
SPCGK46	Column for CS 8100
SPHR859	Mounting bracket
SPHR855	Column contact finger
SPHR848	Column access plate
SPDE393	Column base plate rubber sole
SPCGA40	X-ray remote control

Head Assembly Spare Parts for CS 8100 and CS 8100SC

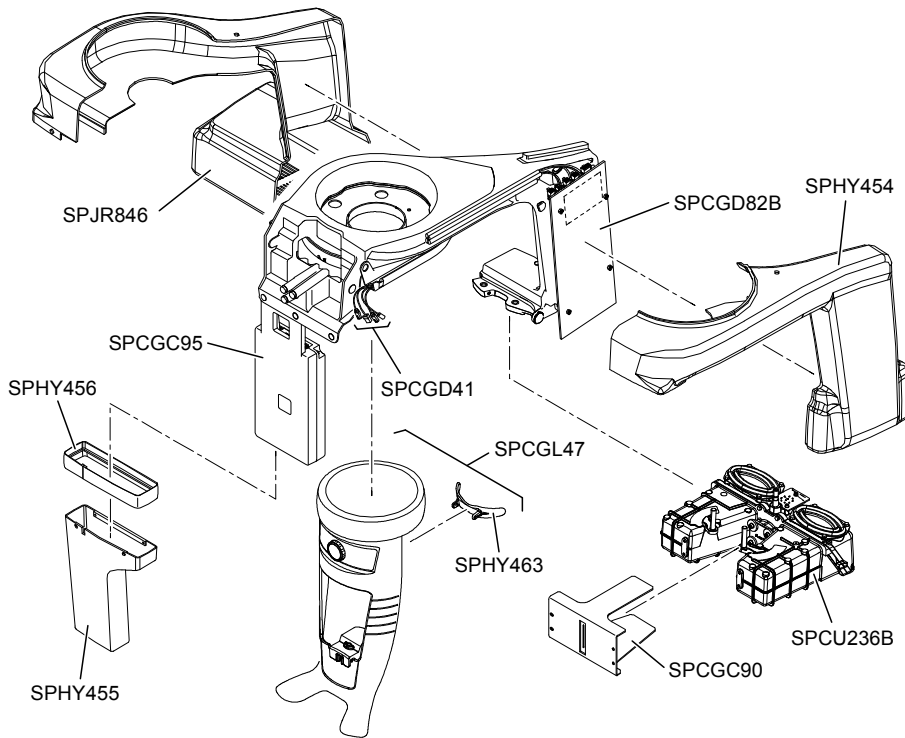


Part Number	Spare Part Name
SPCGD35S	CS 8100 panoramic head
SPLF445	Line filter 250 V - 16 A mono 2-stage
SPCGD83B	CJ856 motor board and CJ848 microprocessor board
SPJZ038	General power supply board; 225 W AC/DC +5 V +24 V
SPJZ036	Power factor correction board; 400 V DC - 6 A (230 V)
SPCJ858B	Rotation detector board Y movement detector board
SPCGD32B	Movement assembly
SPLZ066	Y motor
SPCJ917	Movement detector board for the movement assembly with serial numbers CLxx001 and higher
SPCJ857B	Movement detector board for the movement assembly with serial numbers CKxx999 and lower
SPCPA38	Stop switch
SPCPA36	On/off switch

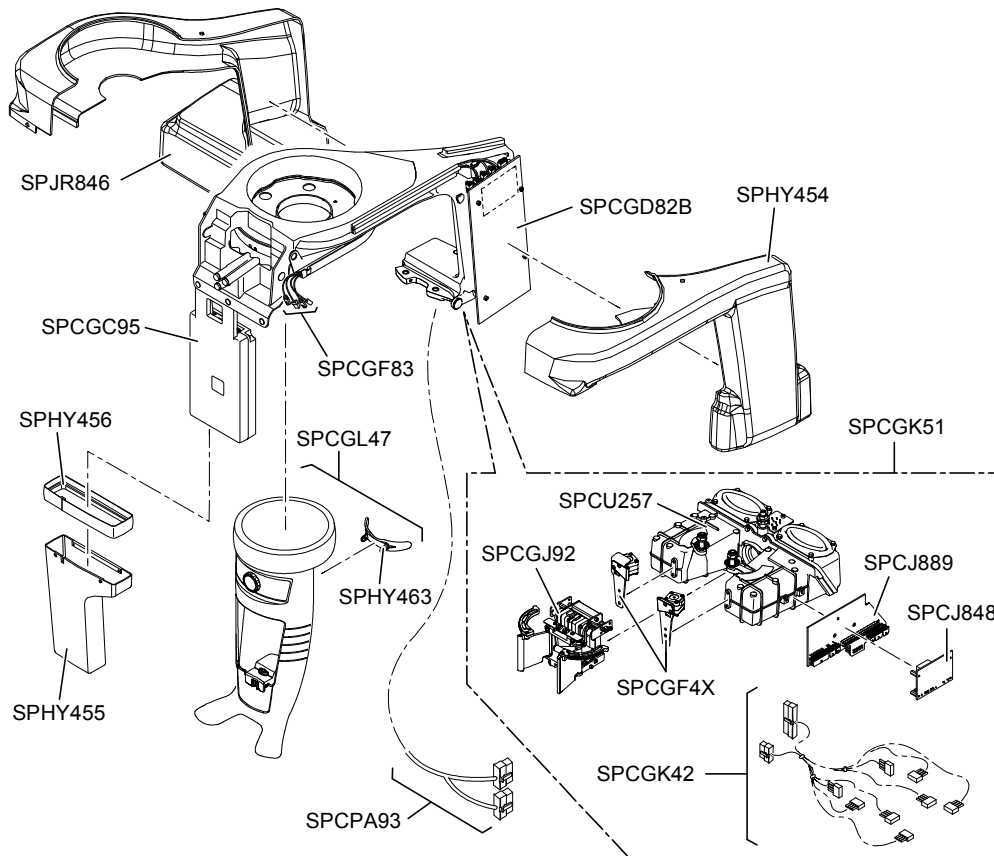
Part Number	Spare Part Name
SPCPA42	Column movement detector cable
SPCGD40	Head cable kit
SPCGD39	Head top cover

Rotative Arm Spare Parts

CS 8100



CS 8100SC



Part Number	Spare Part Name	Part Number	Spare Part Name
SPJR846	Rotative arm cover (X-ray source assembly side)	SPCGC95	Sensor
SPHY456	Sensor cover collar	SPHY455	Sensor cover
SPHY463	Frontal head rest	SPCGL47	Head and chin rest
SPCGF83	Rotative arm cable kit for CS 8100SC	SPCGA93	Secondary collimator motor cable
SPCGD82B	CJ855 X-ray source power board and CJ848 microprocessor board	SPHY454	Rotative arm cover (power board side)
SPCGK51	X-ray source assembly and secondary collimator assembly for CS 8100	SPCU257	X-ray source assembly for CS 8100SC
SPCGJ92	Secondary collimator assembly for CS 8100SC	SPCGF4X	Front motors for the secondary collimator (x2)
SPCGK42	Cable kit for the secondary collimator	SPCJ889	CJ889 secondary collimator driver board
SPCJ848	CJ848 microprocessor board	SPCGD41	Rotative arm cable kit for CS 8100
SPCGC90	Secondary collimator assembly for CS 8100	SPCU236B	X-ray source assembly for CS 8100

Miscellaneous Spare Parts

Part Number	Spare Part Name
SPCJ848	Microprocessor board
SPCGD44	Installation set
SPCPA42	Column movement detector cable
SPLW190	Fuse (2 A - 5x20 - T) on the CJ856 motor board
SPLW197	Fuse (6.3 A - 5x20 - T) on the JZ036 power factor corrector board for mains voltage 200 to 240 V
SPLW108	Fuse (12 A - 5x20 - T) on the JZ036 power factor corrector board for mains voltage 100 to 130 V