

hurrimix



CATALOGO RICAMBI SPARE PARTS LIST

IT | EN

Versione - Version
115 / 230 V~

INDICE GENERALE / INDEX

PARTI DI RICAMBIO HURRIMIX / SPARE PARTS HURRIMIX 1

- Descrizione e tavole componenti HURRIMIX
- Description and tables of components HURRIMIX
- Schema impianto elettrico HURRIMIX
- Wiring diagram HURRIMIX

INFORMAZIONI IMPORTANTI	IMPORTANT INFORMATIONS
<p>I COMPONENTI A LISTINO SONO RICONOSCIBILI DAL SIMBOLO "●" PRESENTE NELLA PRIMA COLONNA DI OGNI DISTINTA RICAMBI.</p>	<p>THE COMPONENTS AVAILABLE ARE IDENTIFIED BY THE SYMBOL "●" IN THE FIRST COLUMN OF EACH SPARE PARTS LIST.</p>
<p>LE CASELLE NON CONTRASSEGNAE INDICANO I COMPONENTI FORNIBILI SU RICHIESTA.</p>	<p>THE UNMARKED BOXES SHOW THE COMPONENTS AVAILABLE ON REQUEST.</p>

ZHERMACK SPA SI RISERVA IL DIRITTO DI APPORTARE ALLE PROPRIE APPARECCHIATURE LE MODIFICHE TECNICHE NECESSARIE, SENZA ALCUN PREAVVISO.
 ZHERMACK SPA RESERVES THE RIGHT OF INTRODUCING IF NECESSARY SOME TECHNICAL MODIFICATION TO THE INSTRUMENTATIONS, WITHOUT NOTICE.

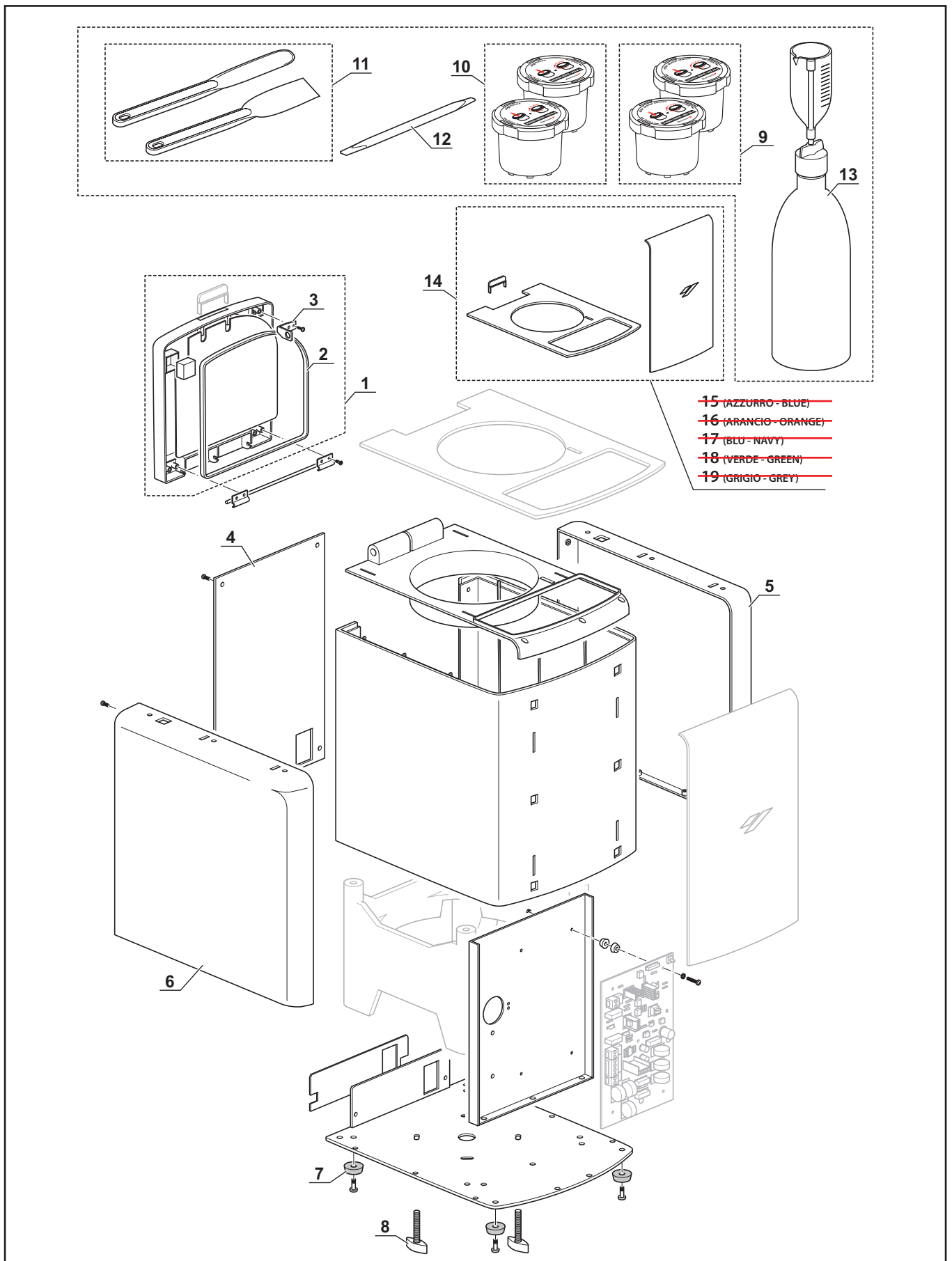
T.1 COMPONENTI STRUTTURA HURRIMIX / HURRIMIX STRUCTURE COMPONENTS

POS.	COD.	Q.	DESCRIZIONE	DESCRIPTION
• 1	XR0251000	1	Porta completa Hurrimix	Complete door Hurrimix
• 2	XR0250890	1	Guarnizione per porta Hurrimix	Seal door Hurrimix
• 3	XR0250975	1	Staffa porta Hurrimix	Stirrup of door Hurrimix
• 4	XD0250030	1	Pannello posteriore inox Hurrimix	Rear panel inox Hurrimix
• 5	XD0250085	1	Copertura laterale inox DX Hurrimix	Side cover inox DX Hurrimix
• 6	XD0250090	1	Copertura laterale inox SX Hurrimix	Side cover inox SX Hurrimix
• 7	XR0250980	4	Piedino troncoconico 20x10	Support foot 20x10
• 8	XI0250366	2	Pomello sicurezza Hurrimix	Safety screw Hurrimix
• 9	XR0250802	1	Hurrimix tazza "alginates" (x2)	Hurrimix Alginates bowl x2
• 10	XR0250804	1	Hurrimix tazza "elite dental stones" (x2)	Hurrimix Elite Dental stone x2
• 11	XR0250820	1	Set Spatole per Hurrimix	Mixing removal spatulas
• 12	XR0250830	1	Bastoncino per miscelazione Hurrimix	Pre-mixing stick
• 13	XR0250840	1	Dosatore per acqua Hurrimix	Water bottle with graduated meas. Cup
• 14	XR0250850	1	Kit cover intercamb. bianco Hurrimix	White cover Hurrimix
• 15	XR0250855	1	Kit cover intercamb. azzurro (opt.)	Blue cover Hurrimix
• 16	XR0250860	1	Kit cover intercamb. arancio (opt.)	Orange cover Hurrimix
• 17	XR0250865	1	Kit cover intercamb. blu (opt.)	Navy cover Hurrimix
• 18	XR0250870	1	Kit cover intercamb. verde (opt.)	Green cover Hurrimix
• 19	XR0250875	1	Kit cover intercamb. grigio (opt.)	Grey cover Hurrimix

DATI TECNICI	Versione 230 V~	Versione 115 V~
Larghezza x altezza x profondità (mm):	240x310x300	240x310x300
Peso netto / Net weight (Kg):	20	20
Potenza assorbita / Power absorbed (W):	400	400
Tensione / Power (V/Hz):	230 V~ ± 10% 50/60 Hz	115 V~ ± 10% 50/60 Hz

TECHNICAL SPECIFICATIONS	Version 230 V~	Version 115 V~
Width x height x depth (inch):	9,4x12,2x11,8	9,4x12,2x11,8
Net weight (Pound):	16,46	16,46
Power absorbed (W):	400	400
Power (V/Hz):	230 V~ ± 10% 50/60 Hz	115 V~ ± 10% 50/60 Hz

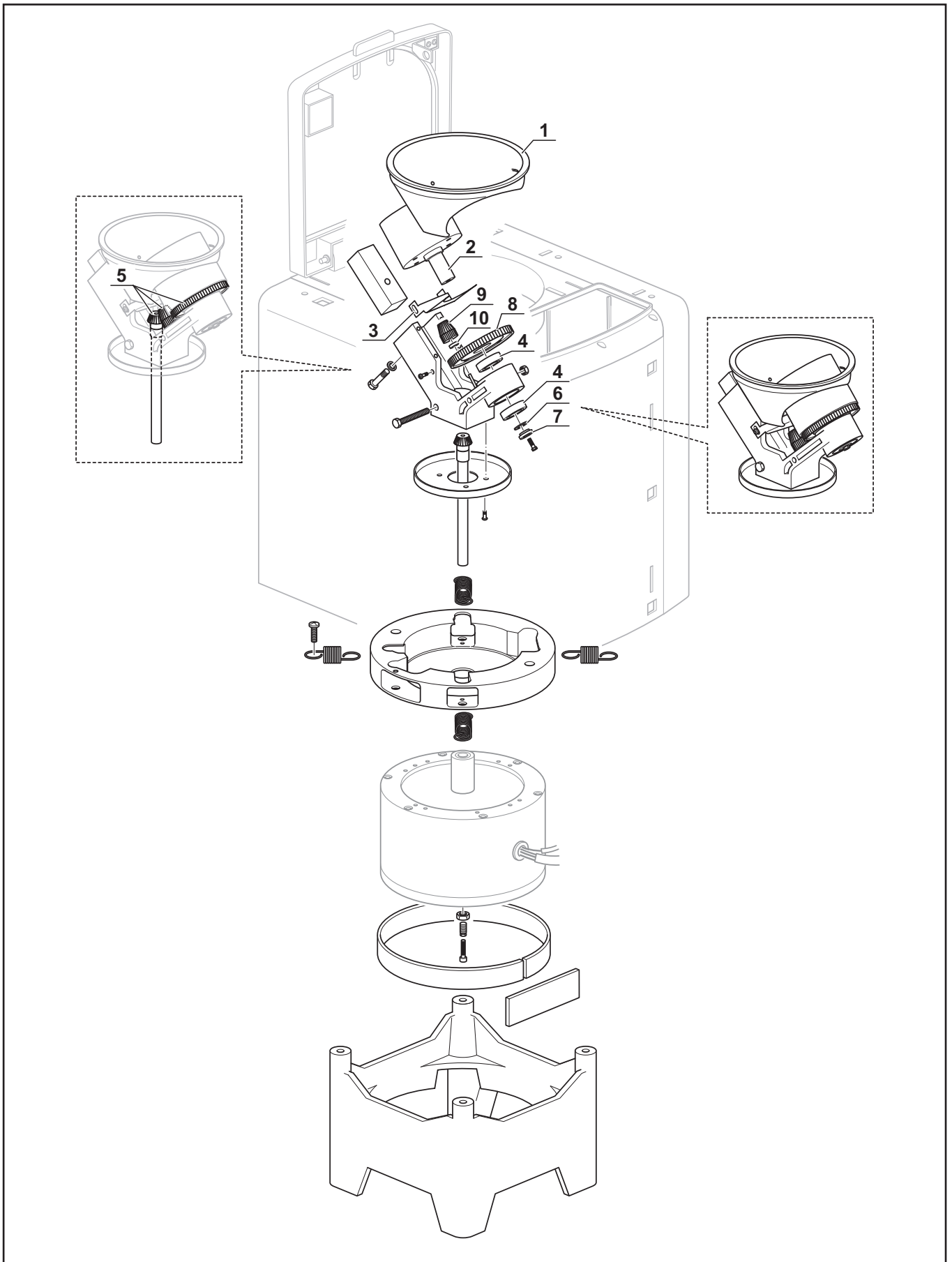
COMPONENTI STRUTTURA HURRIMIX / HURRIMIX STRUCTURE COMPONENTS T.1



T.2 COMPONENTI MECCANICI HURRIMIX / HURRIMIX MECHANICAL COMPONENTS

	POS.	COD.	Q.	DESCRIZIONE	DESCRIPTION
•	1	XR0250910	1	Cono Hurrimix	Cone Hurrimix
•	2	XR0250915	1	Porta tazza Hurrimix	Bowl holder Hurrimix
	3	XD0250035	1	Petalo proteggi polvere Hurrimix	Tab protector of dust Hurrimix
	4	XH0706002	2	Cuscinetto SKF 6002-ZZ	Bearing SKF 6002-ZZ
•	5	XR0250925	1	Kit sostituz. Gear	Kit sostituz.
	6	XH9900085	1	Anello elastico L+M KAS 22A	Elastic Ring L+M KAS 22A
	7	XC0250060	1	Rondella blocca cuscinetti	Block whaser bearings
	8	XI0250367	1	Ingranaggio porta tazza	Big plastic gear Hurrimix
•	9	XR0250926	1	Ingranaggio rinvio completo	Complete gear
	10	XH0700408	1	Microcuscinetto 4x8x3,5	Micro bearing 4x8x3,5

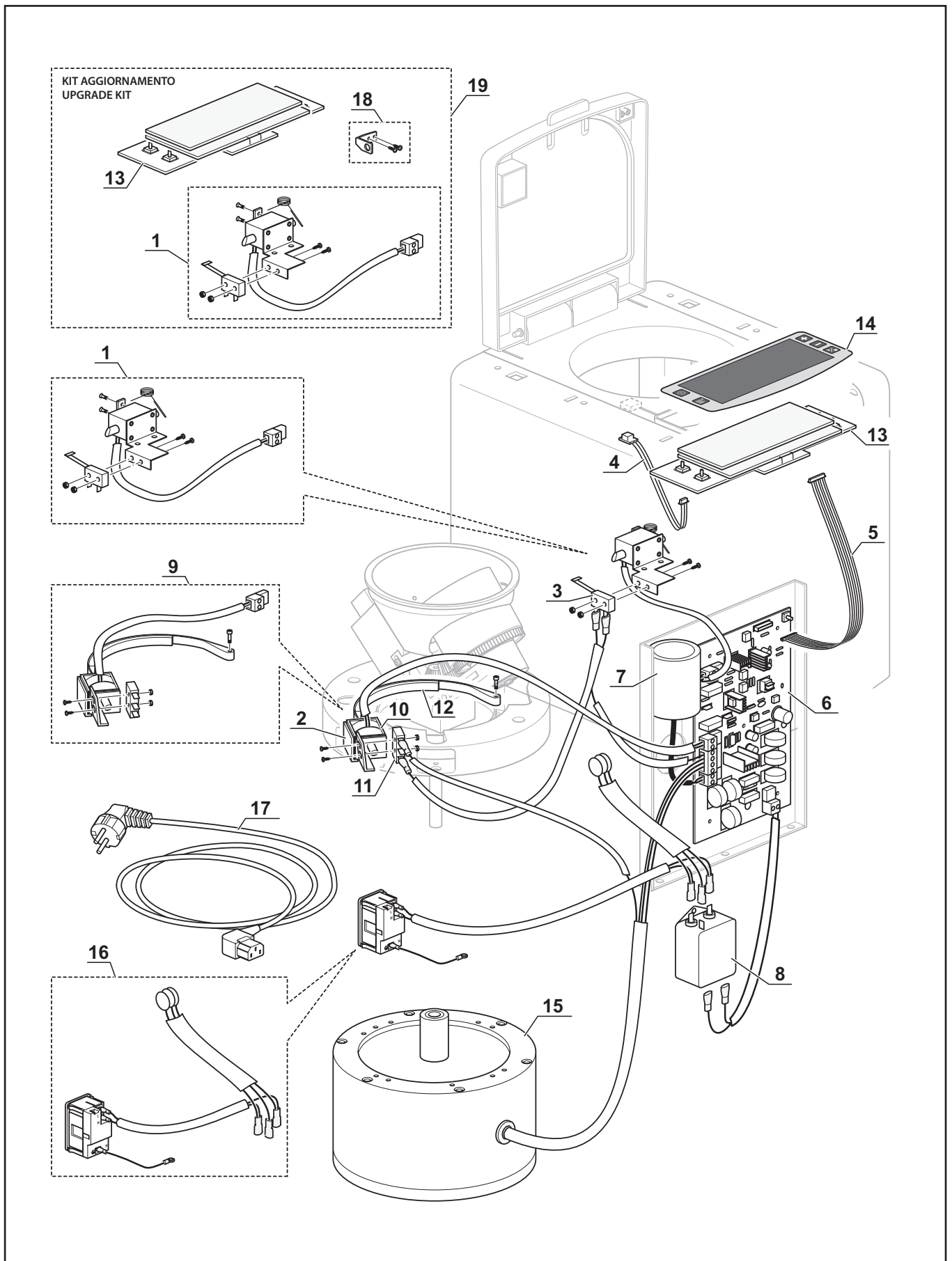
COMPONENTI MECCANICI HURRIMIX / HURRIMIX MECHANICAL COMPONENTS T.2



T.3 COMPONENTI ELETTRICI HURRIMIX 230V / HURRIMIX 230V ELECTRICAL COMPONENTS

POS.	COD.	Q.	DESCRIZIONE	DESCRIPTION
• 1	XR0250945	1	Gruppo chiusura porta Hurrimix 230V	Set lock door Hurrimix 230V
2	XD0250040	1	Staffa elettromagnete freno Hurrimix	Stirrup of electromagn brake Hurrimix
3	XE0300055	1	Microint. 10A NA Hurrimix	Microswitch 10A NO Hurrimix
4	XE9905590	1	Sensore magnetico ON/OFF	Magnetic sensor ON/OFF
• 5	XR0250965	1	Flat display/scheda di pot. Hurrimix	Flat display/power board Hurrimix
• 6	XR0250905	1	Scheda elettronica pt. Hurrimix	Power board Hurrimix
7	XE0400025	1	Condensatore 450 VAC 10 µF	Capacitor 450 VAC 10 µF
8	XE0400045	1	Filtro YB21D4-6A-Q(1)	Filter YB21D4-6A-Q(1)
• 9	XR0250885	1	Gruppo freno Hurrimix 230V	Brake set Hurrimix 230V
10	XE9900411	1	Elettromagnete gruppo freno Hurrimix	Electromagnet Hurrimix
11	XE0300065	1	Microint. 10A NC Hurrimix	Microswitch 10A NC Hurrimix
12	XC0250065	1	Nastro freno Hurrimix	Brake tape Hurrimix
• 13	XR0250900	1	Scheda display Hurrimix	Display board Hurrimix
• 14	XR0250920	1	Polycarbonato display Hurrimix	Polyester display Hurrimix
• 15	XR0250895	1	Motore completo Hurrimix 230V	Complete motor Hurrimix 230V
• 16	XR0250936	1	Presca alimentazione Hurrimix	Socket Hurrimix
• 17	XR0250930	1	Cavo alimentazione 230V Hurrimix	Power cord 230V Hurrimix
• 18	XR0250975	1	Staffa porta Hurrimix	Stirrup of door Hurrimix
• 19	XR0250845	1	Kit aggiornamento Hurrimix	Upgrade kit

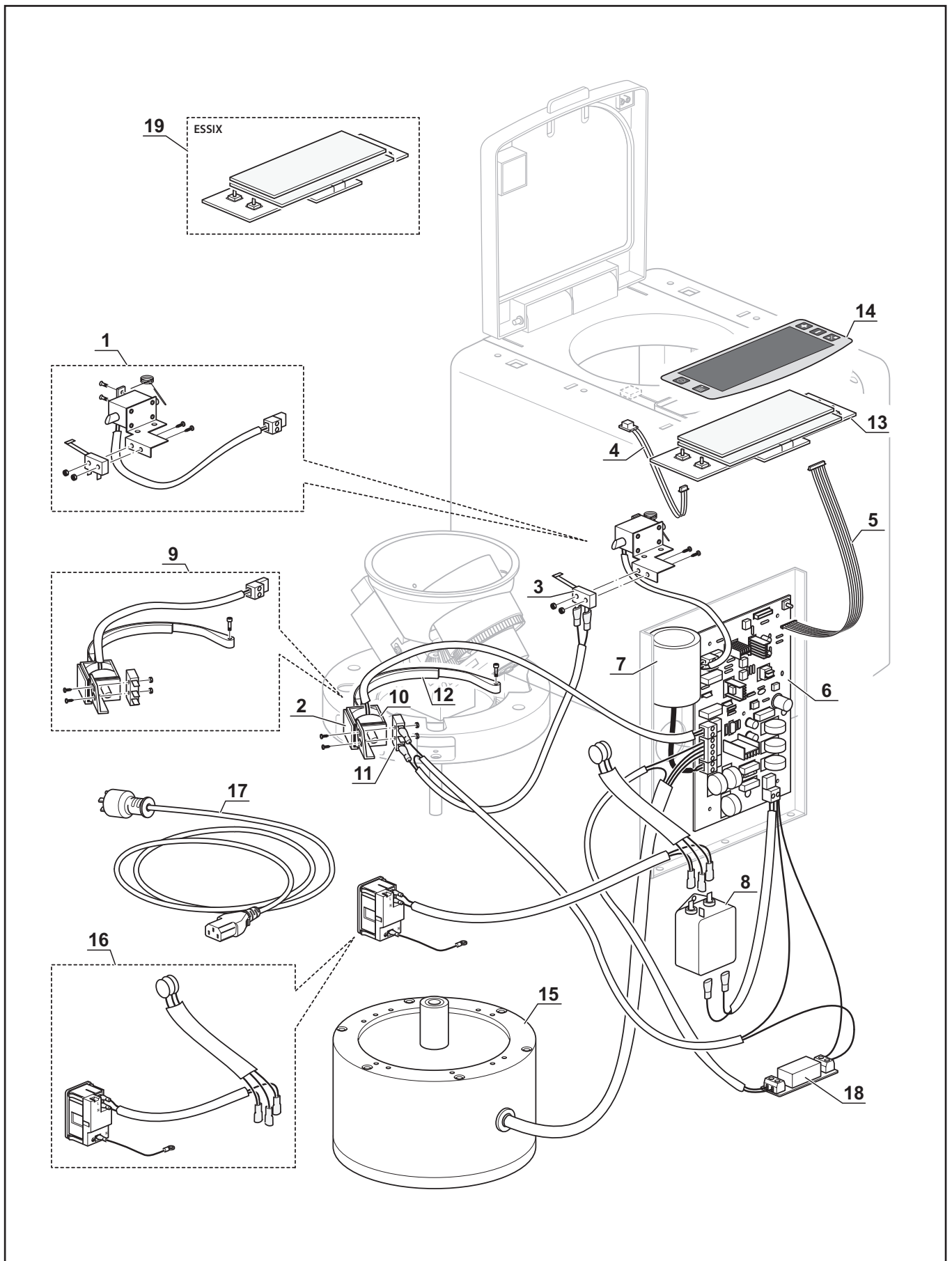
COMPONENTI ELETTRICI HURRIMIX 230V / HURRIMIX 230V ELECTRICAL COMPONENTS T.3



T.4 COMPONENTI ELETTRICI HURRIMIX 115V / HURRIMIX 115V ELECTRICAL COMPONENTS

POS.	COD.	Q.	DESCRIZIONE	DESCRIPTION
• 1	XR0250946	1	Gruppo chiusura porta Hurrimix 115V	Set lock door Hurrimix 115V
2	XD0250040	1	Staffa elettromagnete freno Hurrimix	Stirrup of electromagn brake Hurrimix
3	XE0300055	1	Microint. 10A NA Hurrimix	Microswitch 10A NO Hurrimix
4	XE9905590	1	Sensore magnetico ON/OFF	Magnetic sensor ON/OFF
• 5	XR0250965	1	Flat display/scheda di pot. Hurrimix	Flat display/power board Hurrimix
• 6	XR0250905	1	Scheda elettronica pt. Hurrimix	Power board Hurrimix
7	XE0400027	1	Condensatore 250 VAC 35 µF	Capacitor 250 VAC 35 µF
8	XE0400045	1	Filtro YB21D4-6A-Q(1)	Filter YB21D4-6A-Q(1)
• 9	XR0250886	1	Gruppo freno Hurrimix 115V	Brake set Hurrimix 115V
10	XE9900411	1	Elettromagnete gruppo freno Hurrimix	Electromagnet Hurrimix
11	XE0300065	1	Microint. 10A NC Hurrimix	Microswitch 10A NC Hurrimix
12	XC0250065	1	Nastro freno Hurrimix	Brake tape Hurrimix
• 13	XR0250900	1	Scheda display Hurrimix	Display board Hurrimix
• 14	XR0250920	1	Polycarbonato display Hurrimix	Polyester display Hurrimix
• 15	XR0250896	1	Motore completo Hurrimix 115V	Complete motor Hurrimix 115V
• 16	XR0250936	1	Presse alimentazione Hurrimix	Socket Hurrimix
• 17	XR0250931	1	Cavo alimentazione 115V Hurrimix	Power cord 115V Hurrimix
• 18	XR0250968	1	Relé	Relay
• 19	XR0250901	1	Scheda display Essix	Display board Essix

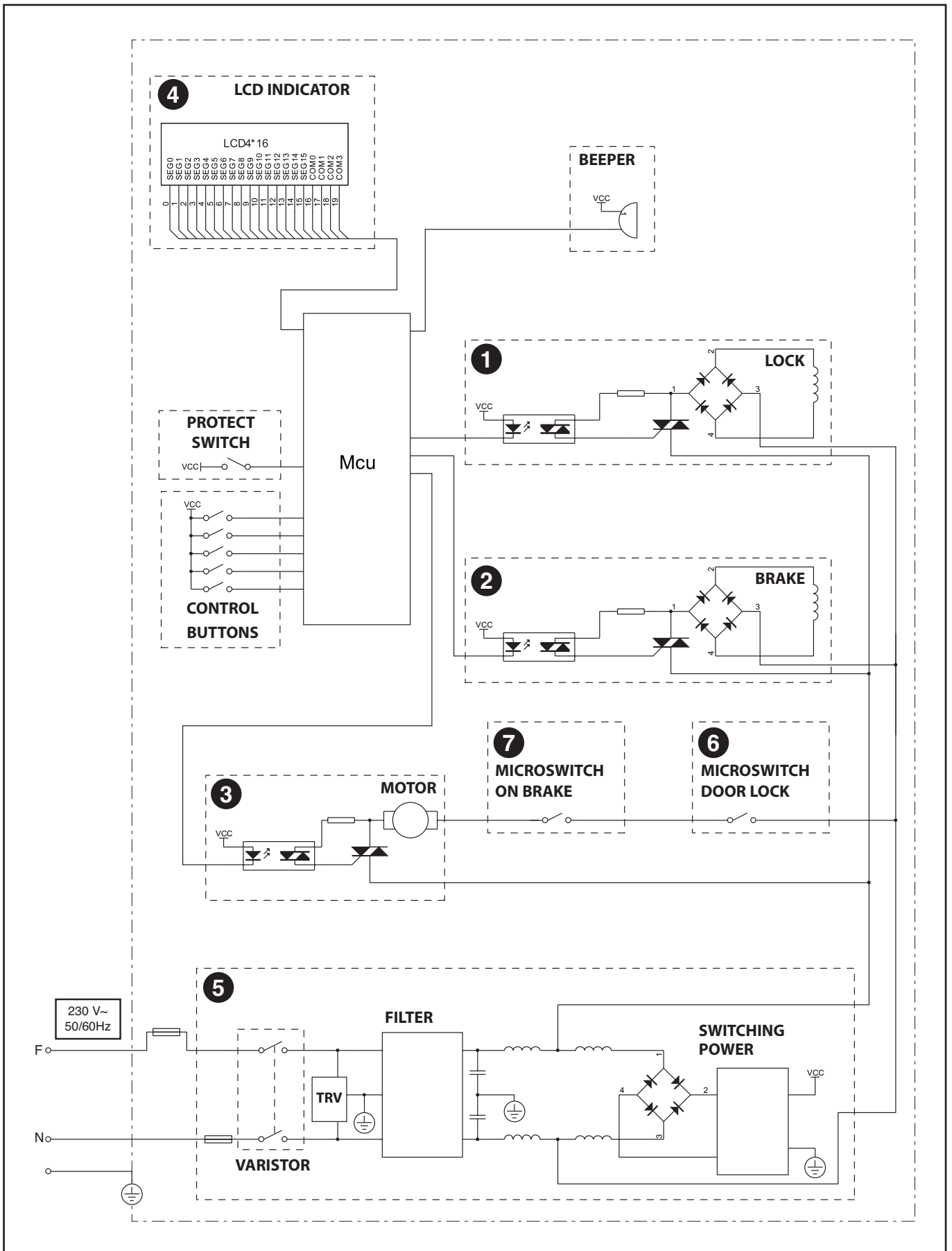
COMPONENTI ELETTRICI HURRIMIX 115V / HURRIMIX 115V ELECTRICAL COMPONENTS T.4



IMPIANTO ELETTRICO HURRIMIX (230 V~) / HURRIMIX (230 V~) WIRING DIAGRAM

POS.	COD.	DESCRIZIONE	DESCRIPTION
1	XR0250945	Gruppo chiusura porta (Tav.3 pos1)	Set lock door (T.3 pos.1)
2	XR0250885	Gruppo freno (Tav.3 pos.9)	Brake set (T.3 pos.9)
3	XR0250895	Motore completo Hurrimix 230V (Tav.3 pos.15)	Complete motor Hurrimix 230V (T.3 pos.15)
4	XR0250900	Scheda display Hurrimix (Tav.3 pos.13)	Display board (T.3 pos.13)
5	XR0250905	Scheda elettr. pot. Hurrimix (Tav.3 pos.6)	Power board Hurrimix (T.3 pos.6)
6	XE0300055	Microint. 10A NA Hurrimix (Tav.3 pos.3)	Microswitch 10A NO Hurrimix (T.3 pos.3)
7	XE0300065	Microint. 10A NC Hurrimix (Tav.3 pos.11)	Microswitch 10A NC Hurrimix (T.3 pos.11)

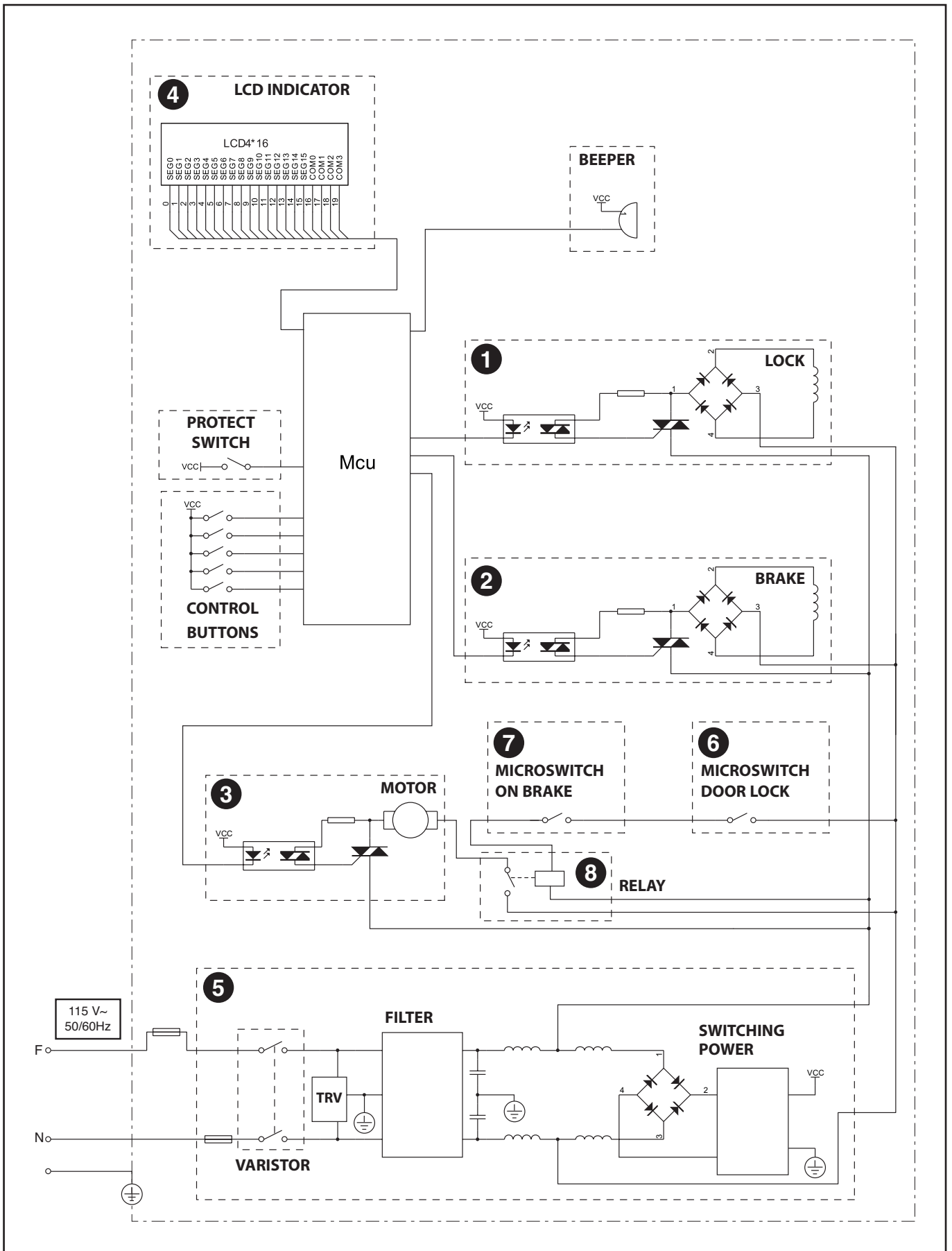
IMPIANTO ELETTRICO HURRIMIX (230 V~) / HURRIMIX (230 V~) WIRING DIAGRAM



IMPIANTO ELETTRICO HURRIMIX (115 V~) / HURRIMIX (115 V~) WIRING DIAGRAM

POS.	COD.	DESCRIZIONE	DESCRIPTION
1	XR0250946	Gruppo chiusura porta (Tav.4 pos1)	Set lock door (T.4 pos.1)
2	XR0250886	Gruppo freno (Tav.4 pos.9)	Brake set (T.4 pos.9)
3	XR0250896	Motore completo Hurrimix 115V (Tav.4 pos.15)	Complete motor Hurrimix 115V (T.4 pos.15)
4	XR0250900	Scheda display Hurrimix (Tav.4 pos.13)	Display board (T.4 pos.13)
5	XR0250905	Scheda elettr. pot. Hurrimix (Tav.4 pos.6)	Power board Hurrimix (T.4 pos.6)
6	XE0300055	Microint. 10A NA Hurrimix (Tav.4 pos.3)	Microswitch 10A NO Hurrimix (T.4 pos.3)
7	XE0300065	Microint. 10A NC Hurrimix (Tav.4 pos.11)	Microswitch 10A NC Hurrimix (T.4 pos.11)
8	XR0250968	Relé (Tav.4 pos.20)	Relay (T.4 pos.20)

IMPIANTO ELETTRICO HURRIMIX (115 V~) / HURRIMIX (115 V~) WIRING DIAGRAM



Fulfilling your needs