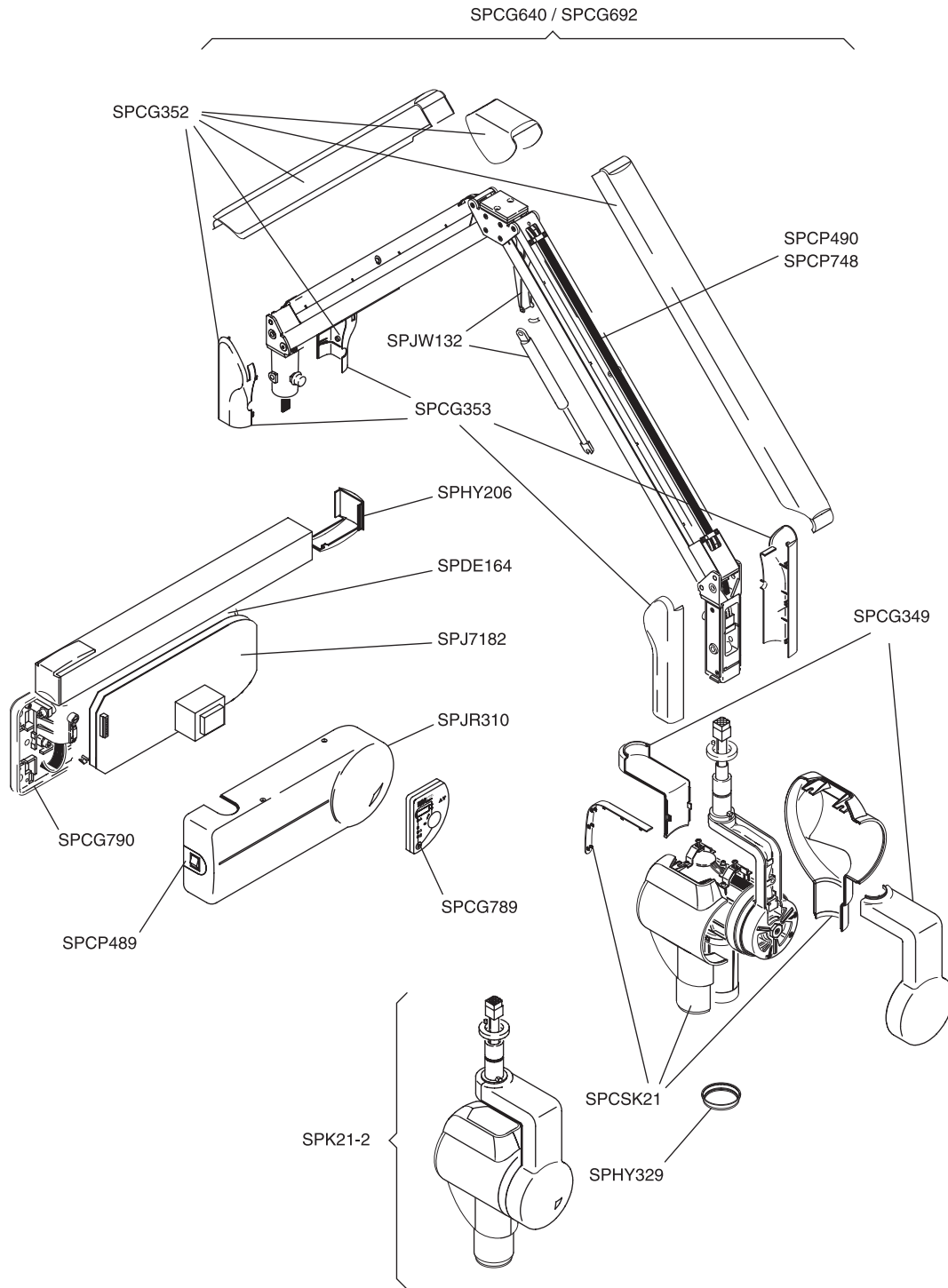



KODAK 2100 Intraoral X-ray Unit



KODAK 2100 Intraoral X-ray Unit

SPARE PARTS	
DESCRIPTION	PART #
Kodak 2100 High frequency generator - 220 V ** 	SPK21-2
Plastic ring retainer for Kodak 2100 Tub	SPHY329
Generator cover set	SPCSK21
Fork cover set	SPCG349
Kodak 2100 scissor arm	SPCG640
Kodak 2100 scissor arm for ceiling mount only	SPCG692
Scissor arm cable	SPCP490
Scissor arm front jack + jack cover	SPJW132
Plastic covers	SPHY206
Arm cover set	SPCG352
Arm base cover set	SPCG353
Scissor Arm cable for ceiling mount	SPCP748
Kodak 2100 230V Power board 	SRJ7182
Complete Kodak 2100 Timer 	SPCG789
Isolation plate for HF power board	SPDE164
On/Off switch for wall bracket	SPCP489
Wall framework cover set	SPJR310
Wall apply without power board	SPCG790
Timer link cable framework (30 cm)	SPCP915
Remote timer cable 15m	SPCP235
Screw set	SPSSK2K
Cover For Ceiling Mount support	SPBY160
Extention Cord Pack Reach RHF	SPCG690

Parts with  might be repaired after expertise
 Parts with "****" have a serial number