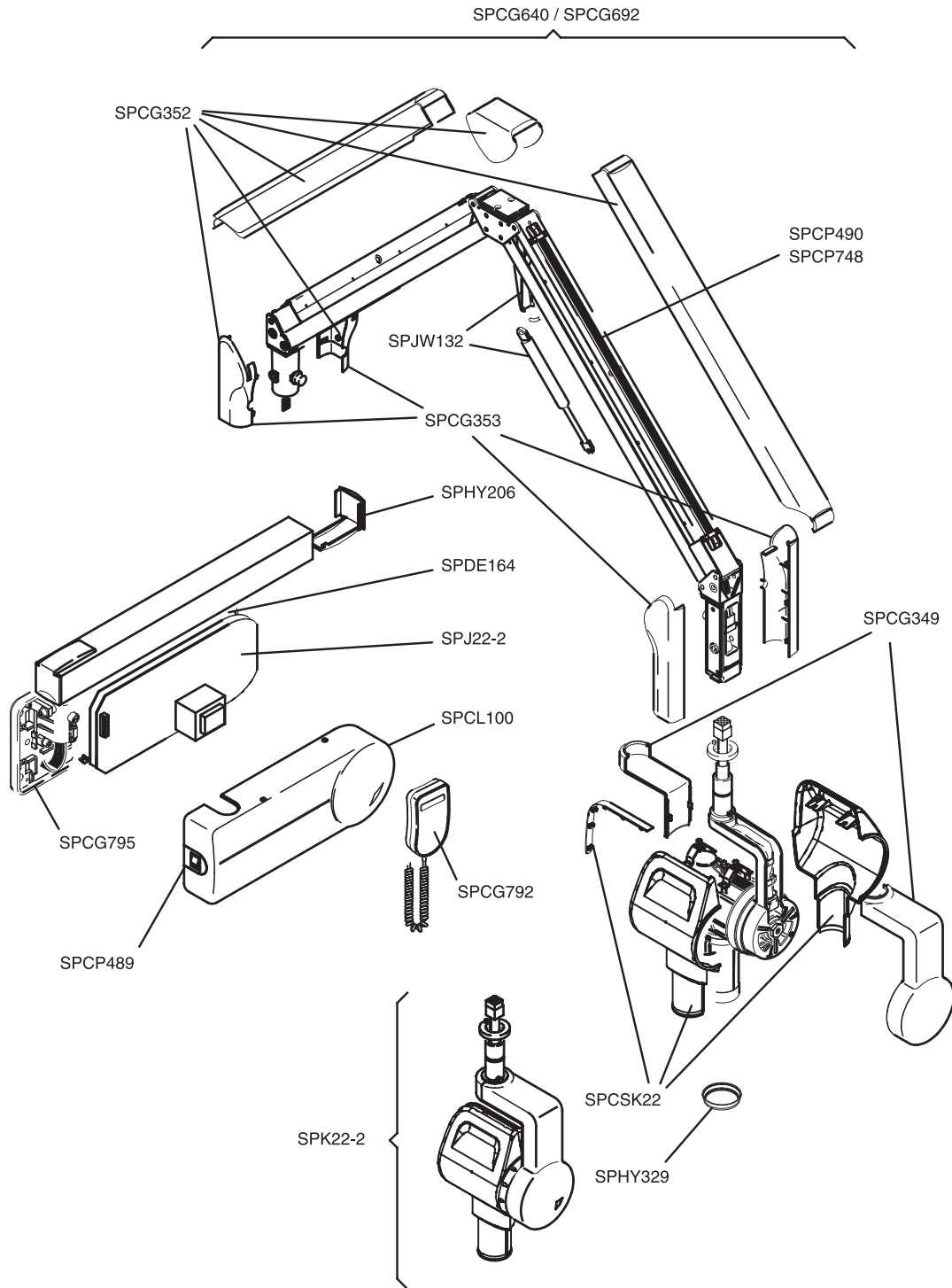





KODAK 2200 Intraoral X-ray Unit



KODAK 2200 Intraoral X-ray Unit

SPARE PARTS		
DESCRIPTION		PART #
Kodak 2200 High frequency generator - 220 V **		SPK22-2
Plastic ring retainer for Kodak 2200 Tub		SPHY329
Generator cover set		SPCSK22
Fork cover set		SPCG349
Remote timer link Cable		SPCP733
Kodak 2200 scissor arm		SPCG640
Kodak 2200 scissor arm for ceiling mount only		SPCG692
Scissor arm cable		SPCP490
Scissor arm front jack + jack cover		SRJW132
Plastic covers		SPHY206
Arm cover set		SPCG352
Arm base cover set		SPCG353
Scissor Arm cable for ceiling mount		SPCP748
Kodak 2200 230V Power board		SRJ22-2
Complete Kodak 2200 Hand-Held Timer		SPCG792
Isolation plate for HF power board		SPDE164
On/Off switch for wall bracket		SPCP489
Kodak 2200 Wall framework cover set		SPCL100
Wall apply without power board		SPCG795
Timer link cable		SPCP735
Wall mounted remote cable (15 Meter)		SPCP514
Screw set		SPSSK2K
Cover For Ceiling Mount support		SPBY160
Kodak 2200 Cover Rear Panel		SPCL098
Extension cord pack reach RHF		SPCG690

Parts with  might be repaired after expertise
 Parts with "****" have a serial number