

Chapter 4 LIST OF SPARE PARTS

Column Spare Parts

Figure 4-1 Column Spare Parts

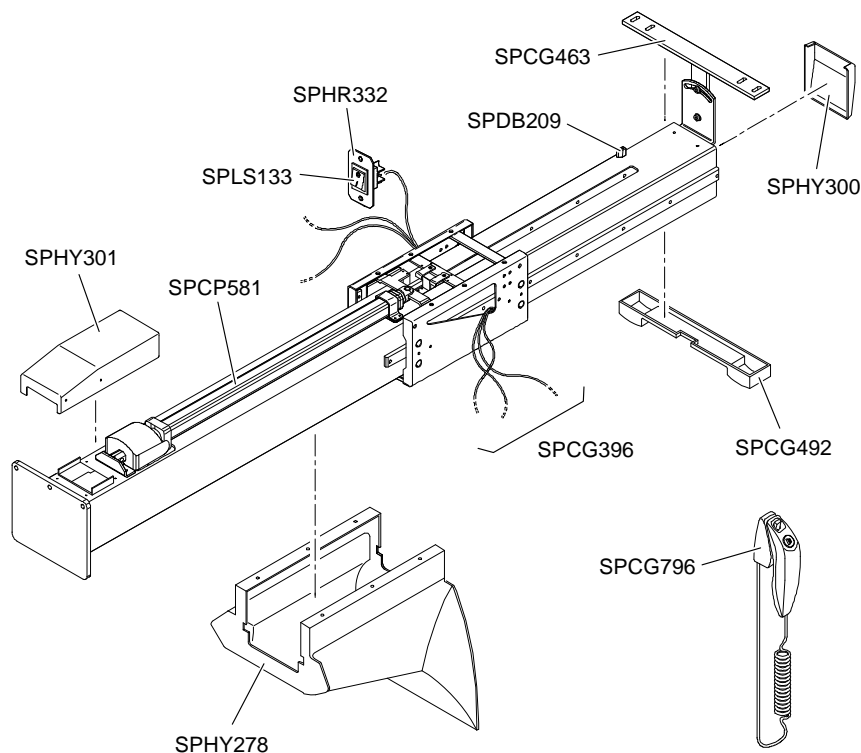


Table 4-1 Column Spare Parts

Part No.	Spare Part Name
SPCG463	Wall mounting bracket
SPDB209	End limit switch activator
SPHR332	ON/OFF power switch fixing cover
SPLS133	ON/OFF power switch
SPCP581	Electric linear actuator
SPHY301	Column connecting terminals cover
SPHY278	Column sliding box cover
SPCG396	Cable kit for motorized column
SPCG492	Wall mounting brackets cover
SPHY300	Column top cover
SPCG796	X-Ray remote control and mounting hook

Head Assembly Spare Parts

Figure 4-2 Head Assembly Spare Parts

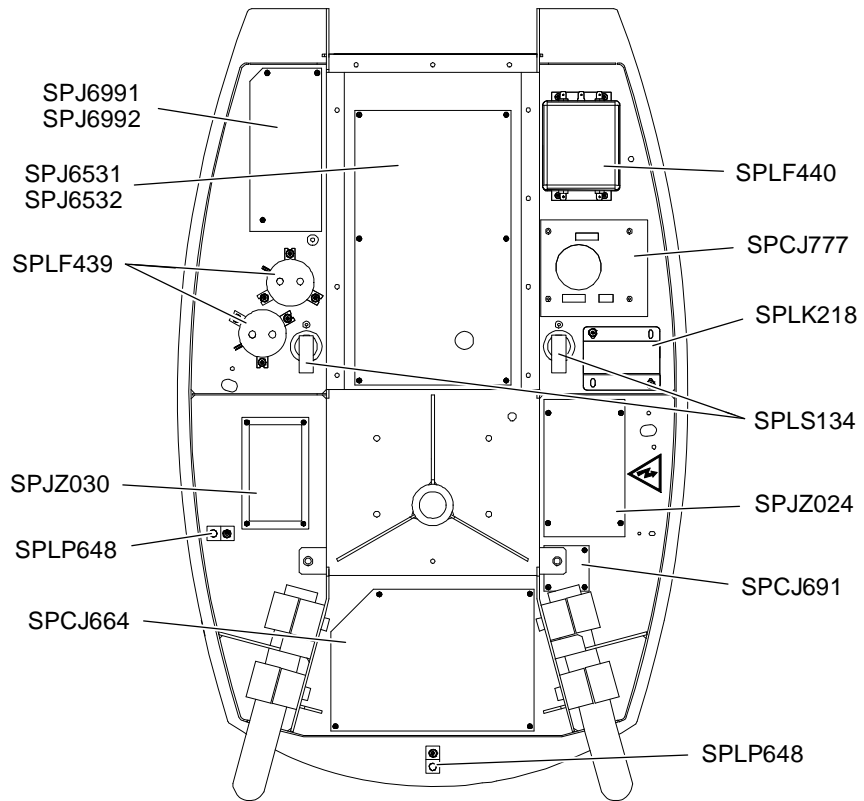


Table 4-2 Head Assembly Spare Parts

Part No.	Spare Part Name
SPJZ030	Digital sensor power supply JZ030 board
SPJZ024	Microprocessor power supply JZ024 board
SPLK218	LK218 Harmonic filter
SPLF439	2 Capacitors LF439
SPLF440	LF440 line filter
SPJ6531	CJ653 inverter board 110 V
SPJ6532	CJ653 inverter board 230 V
SPJ6991	CJ699 motor board 110 V
SPJ6992	CJ699 motor board 230 V
SPCJ664	Microprocessor board
SPCJ691	Laser board
SPLP648	Laser
SPCJ777	Filter board
SPLS134	Arm rotation limit switches

Patient Positioning Spare Parts

Figure 4–3 Chin Rest Spare Parts

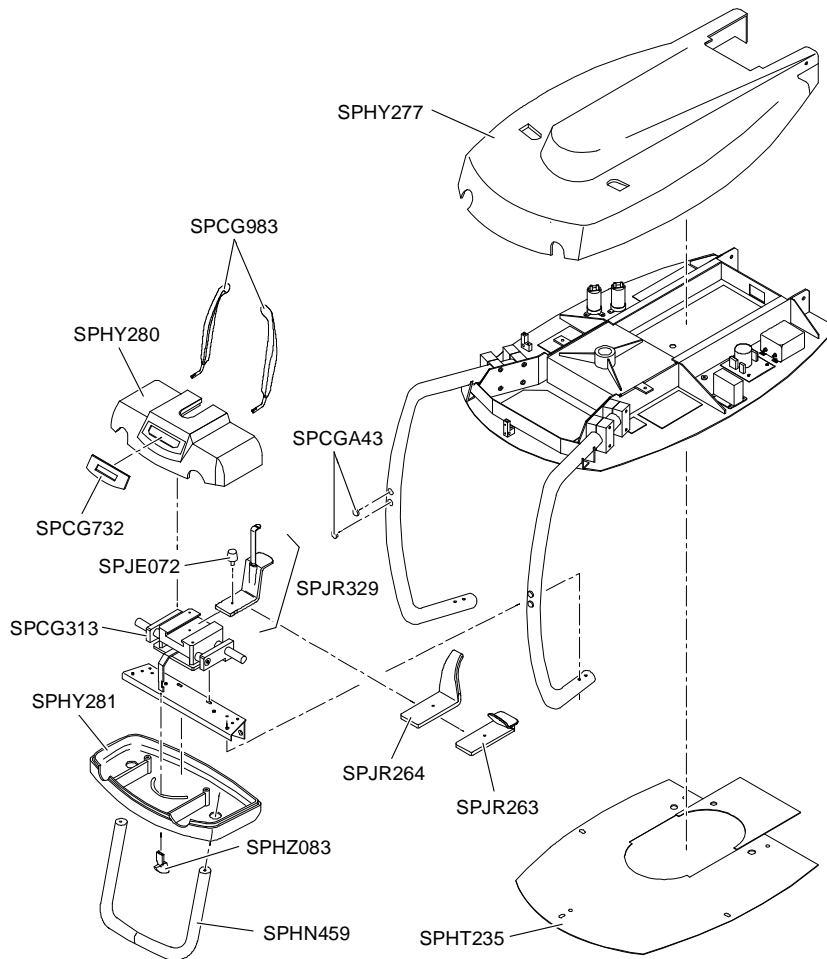


Table 4–3 Patient Positioning Spare Parts

Part No.	Spare Part Name
SPCG732	Control panel assembly
SPCG313	Chin rest mechanical assembly
SPHY281	Chin rest base bottom cover
SPHY280	Chin rest base top cover
SPJE072	Chin rest adjusting knob
SPHZ083	Adjusting knob
SPCG983	Temple support
SPJR329	Chin rest bite block support
SPJR264	TMJ x4 nose rest
SPJR263	Sinus chin rest

Table 4-3 Patient Positioning Spare Parts (Continued)

Part No.	Spare Part Name
SPHN459	Hand grips
SPCGA43	User interface cable kit
SPHY277	Head cover
SPHT235	Under the head cover

Table 4-4 Rotative Arm Spare Parts (Standard and for Ceph Upgrade)

Part No.	Spare Part Name
SPCG498	Optical encoder assembly 220V - 50Hz
SPCG499	Optical encoder assembly 220V - 60Hz
SPIM108	Optical encoder
SPCI964	Digital panoramic sensor patient entry on the right
SPI964L	Digital panoramic sensor patient entry on the left
SPLP648	laser
SPHR334	Frankfurt laser assembly
SPHZ083	Adjusting knob
SPCU227	X-Ray Generator
SPHY269	Generator back cover
SPHY295	Generator front cover
SPHY284	Digital sensor cover
SPCG371	Sensor sliding mechanism (for ceph upgrade)
SPCG807	Colimator assembly
SPHY276	Digital sesor cover
SPHY275	Arm and sliding mechanism cover
SPHY282	Generator back cover
SPHY283	Generator front cover

Miscellaneous Spare Parts

Table 4–5 Miscellaneous Spare Parts

Part No.	Spare Part Name
SPLP621	Microprocessor board U15 battery (black)
SPLP670	EEPROMS x2
SPCGA43	User interface cable kit
SPCGA44	Rotative arm cable kit
SPCGA45	Low voltage cable kit
SPCGA46	Power cable kit
SPCP906	Extension cable for x-ray remote control
SPSSK8K	screw set for K8000/K8000C
SPOT001	Testing tool
SPCG981	Ball phantom
SPLS134	2 Limit switches for rotative arm movement
SPLX018	2 Limit switches for column

