

Chapter 3

LIST OF SPARE PARTS

Column Spare Parts

Figure 3-1 Column Spare Parts

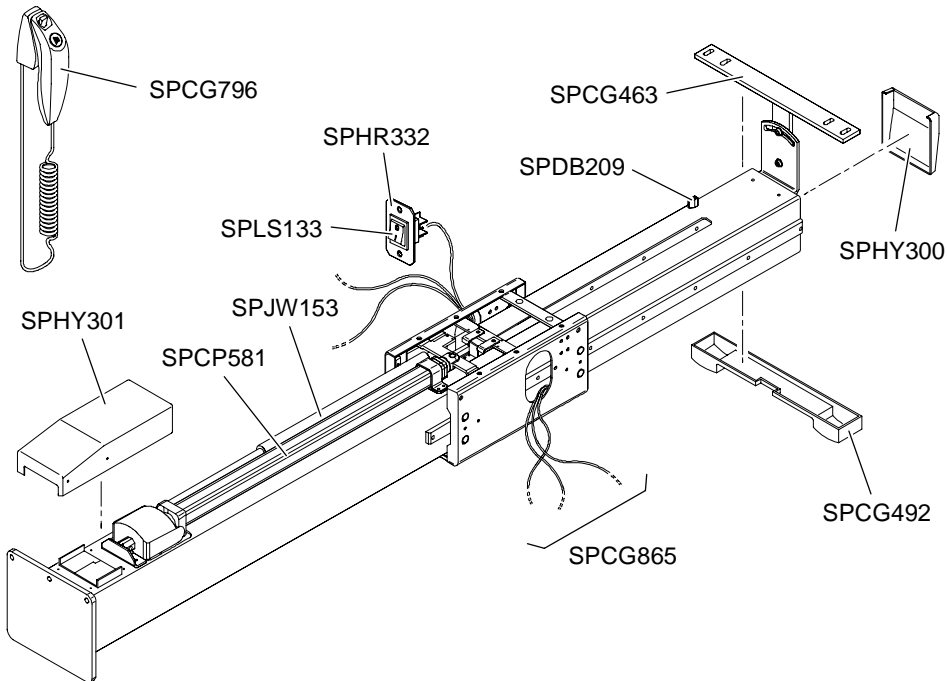


Table 3-1 Column Spare Parts

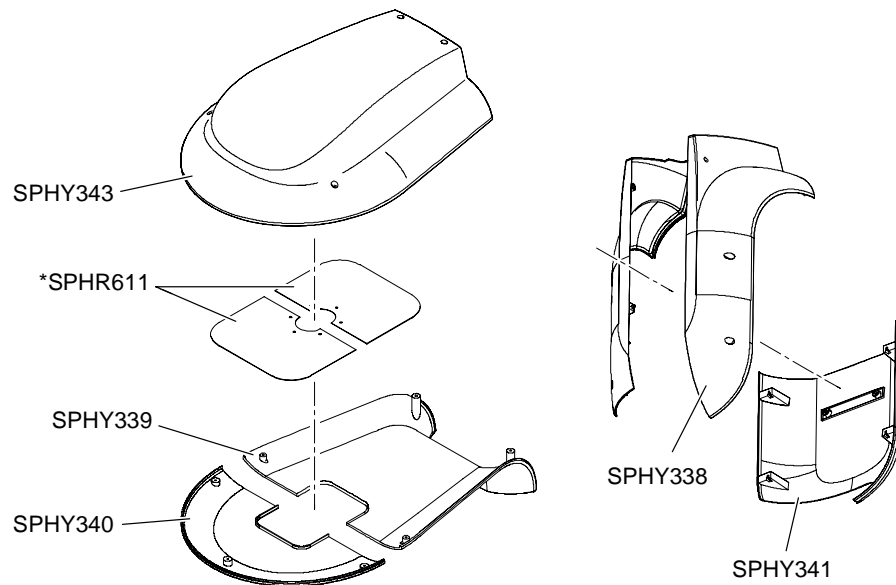
Part No.	Spare Part Name
SPCG463	Wall mounting bracket
SPDB209	End limit switch activator
SPHR332	ON/OFF power switch fixing cover
SPLS133	ON/OFF power switch
SPJW153	Column 2 reinforcement jack
SPCP581	Electric linear actuator
SPHY301	Column connecting terminals cover
SPCG865	Cable kit for motorized column
SPCG492	Wall mounting brackets cover
SPHY300	Column top cover
SPCG796	X-ray remote control and mounting hook

Column and Head Cover Spare Parts

Fiber and plastic covers are not compatible. You **MUST** identify the type of the cover before placing an order. All the plastic covers have “ABS” logo inside the covers.

Column and Head “Fiber” Covers

Figure 3–2 Column and Head Fiber Cover Spare Parts



IMPORTANT

Replace ANY of these “fiber” covers with **ONLY** “fiber” covers.

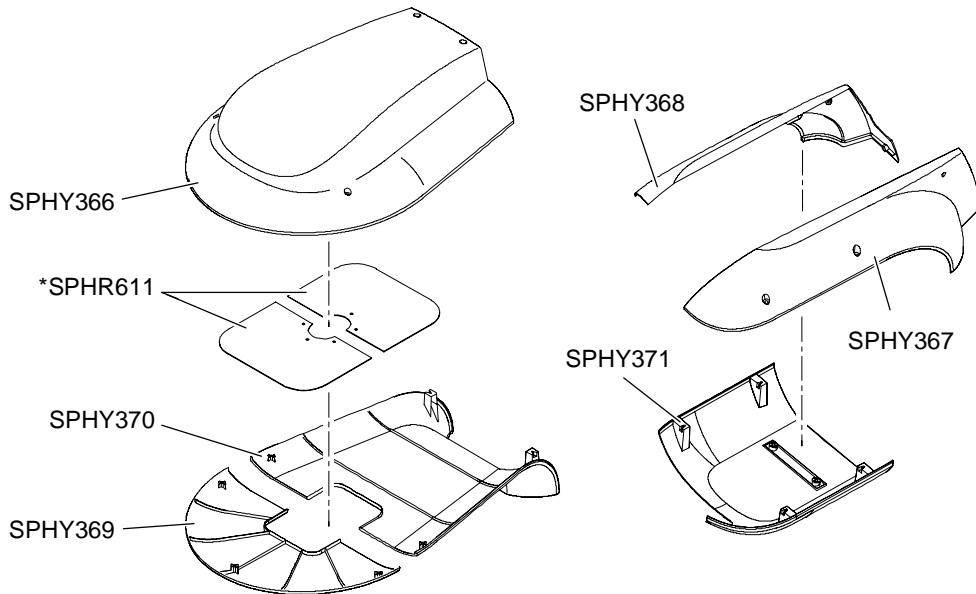
Or, if the unit serial N° is from WAxxxxx to WGxxxxx, you **CAN** upgrade the **COMPLETE** set of the above fiber covers with a **COMPLETE** set of plastic covers (except *SPHR611) ref. SPCGA18.

Table 3–2 Column and Head Fiber Cover Spare Parts

Part No.	Spare Part Name
SPHY343	Unit head cover
SPHY339	Under the head back cover
SPHY340	Under the head front cover
SPHY338	Column inside cover
SPHY341	Column side covers
*SPHR611	Protection plate

Column and Head “Plastic” Covers

Figure 3–3 Column and Head Plastic Cover Spare Parts



IMPORTANT

Replace ANY of these “plastic” covers with ONLY “plastic” covers.

The reference number for the complete set of the above plastic covers (except *SPHR611) is ref. SPCGA18.

Table 3–3 Column and Head Plastic Cover Spare Parts

Part No.	Spare Part Name
SPHY366	Unit head cover
*SPHR611	Protection plate
SPHY370	Under the head back cover
SPHY369	Under the head front cover
SPHY368	Column left side cover
SPHY367	Column right side cover
SPHY371	Column inside cover

Head Assembly Spare Parts

Figure 3-4 Head Assembly Spare Parts (Unit Serial N° xxACxxx)

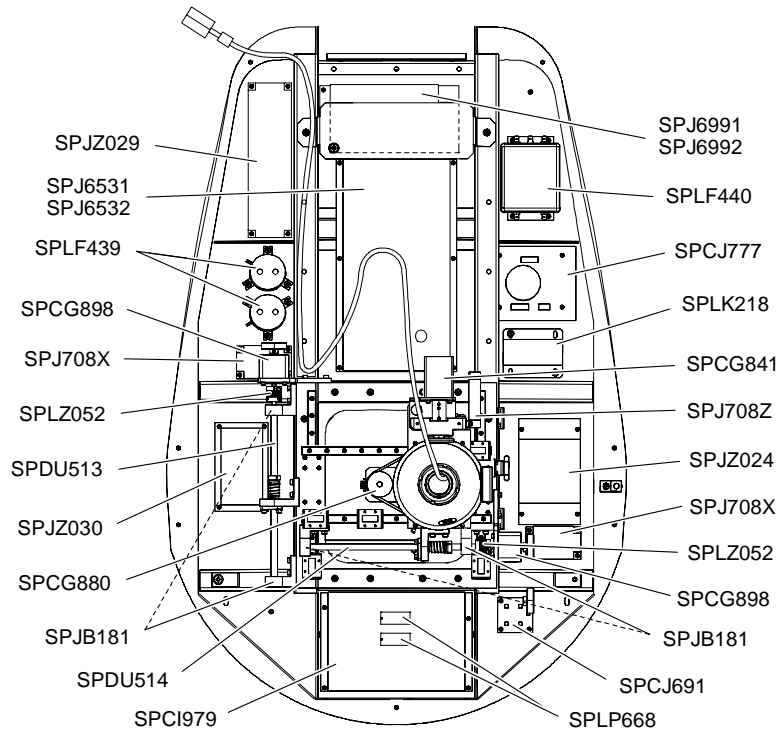


Figure 3-5 Head Assembly Spare Parts (Other than the Unit Serial N° xxACxxx)

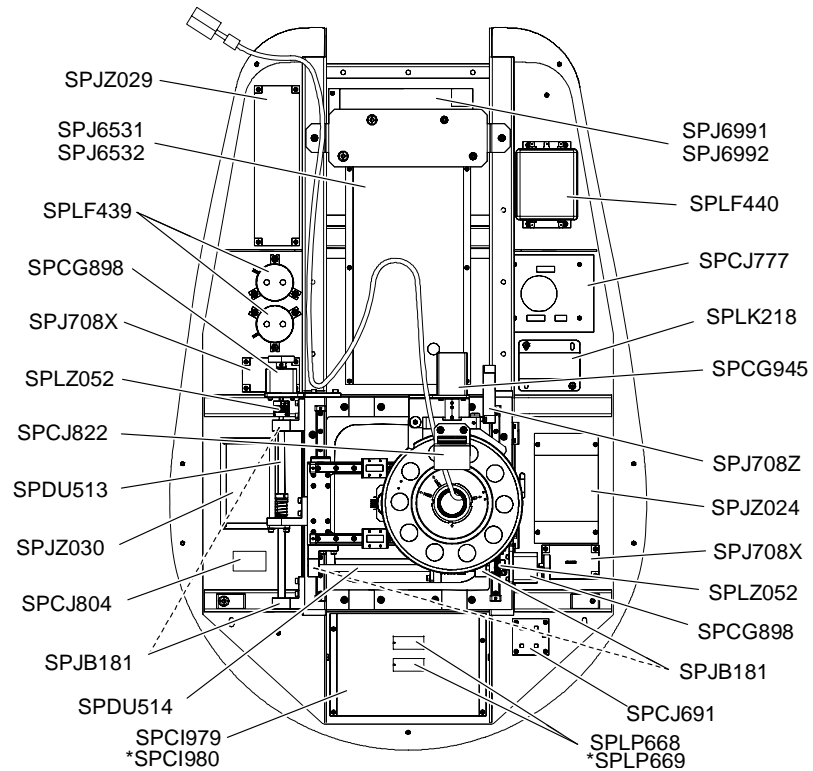


Table 3–4 Head Assembly Spare Parts

Part No.	Spare Part Name	Unit Serial No.
SPCI979	CJ732 microprocessor board for sector collimator	<ul style="list-style-type: none"> • xxACxxx • xxADxxx • xxAHxxx
SPLP668	EEPROM x2 (last version) for sector collimator	
*SPCI980	CJ732 microprocessor board for blade collimator	<ul style="list-style-type: none"> • xxAExxx • xxAFxxx • xxAJxxx • xxAKxxx
*SPLP669	EEPROM x2 (last version) for blade collimator	
SPDU514	Double pitch worm Y	
SPJB181	2 Bearings X or Y	
SPCG880	Optical encoder assembly (with pulley belt)	Up to WKAH046
SPCG985	Optical encoder assembly	From WKAH047
SPJZ030	Digital sensor power supply JZ030 board	
SPDU513	Double pitch worm X	
SPLZ052	Flexible motor coupling X or Y	
SPCG898	Motor assembly X or Y	
SPLF439	2 Capacitors LF439	
SPJ6531	CJ653 inverter board 110 V	
SPJ6532	CJ653 inverter board 230 V	
SPJZ029	Motor power supply JZ029	
SPJ6991	CJ699 motor board 110 V	
SPJ6992	CJ699 motor board 230 V	
SPLF440	LF440 line filter	
SPCJ777	CJ777 filter board	
SPCG945	Rotative arm motor assembly	Up to WKAH047
SPCG841	Rotative arm motor assembly	All xxACxxx
SPLK218	LK218 Harmonic filter	
SPJZ024	Microprocessor board power supply JZ024 board	
SPJ708X	Step motor driver 708 board for X and Y movement	
SPJ708Z	Step motor drive 708 board for rotative movement	
SPCJ691	CJ691 laser board	
SPCJ822	Optical switch board	
SPCJ804	Ceph pin DC motor board	

Rotative Arm Spare Parts

Figure 3-6 Rotative Arm Spare Parts

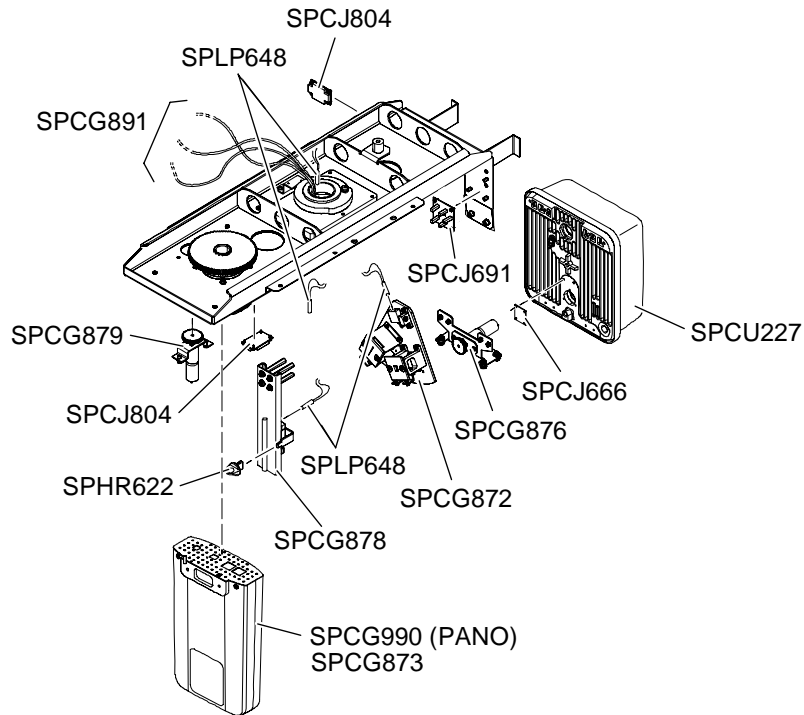


Figure 3-7 Rotative Arm Spare Parts

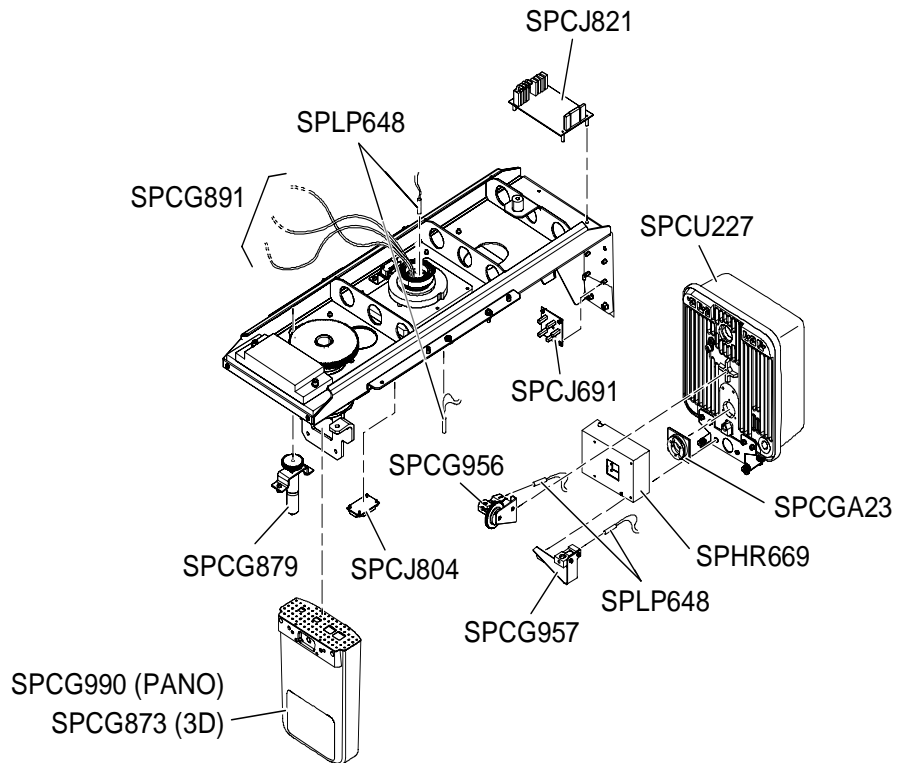


Table 3–5 Rotative Arm Spare Parts

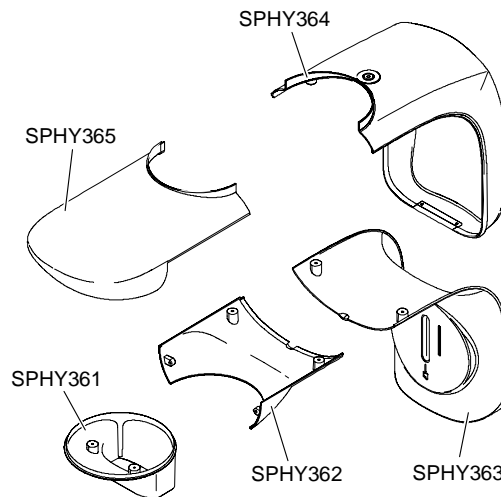
Part No.	Spare Part Name	Unit Serial No.
SPCG891	Rotative arm cable kit	
SPCG873	3D digital sensor	
SPCG990	Panoramic digital sensor	
SPCG879	Sensor select motor assembly	
SPCJ691	Laser CJ691 board	
SPCU227	X-ray generator	
SPLP648	Laser	
SPCJ804	DC motor CJ804 board	
SPCJ666	Collimator detection board	<ul style="list-style-type: none"> • xxACxxx • xxADxxx • xxAHxxx
SPCG878	Horizontal positioning laser assembly	
SPCG872	3D collimator plate assembly	
SPCG876	Collimator select motor assembly	
SPHR622	Panoramic laser knob	
SPCG956	Horizontal positioning laser assembly	<ul style="list-style-type: none"> • xxAExxx • xxAFxxx • xxAJxxx • xxAKxxx
SPCG957	Cephalostat Frankfort positioning laser assembly	
SPCJ821	Blade collimator pilot board	
SPHR669	Blade collimator	
SPCGA23	Collimator fixing ring	

Rotative Arm Cover Spare Parts

Fiber and plastic covers are not compatible. You **MUST** identify the type of the cover before placing an order. All the plastic covers have “ABS” logo inside the covers.

Rotative Arm “Fiber” Covers for “Sector Collimator” Spare Parts

Figure 3–8 Rotative Arm Fiber Covers for Sector Collimator Spare Parts



IMPORTANT

Replace ANY of these “fiber” covers with ONLY “fiber” covers.

Or, you CAN upgrade the COMPLETE set of fiber covers above with a COMPLETE set of plastic covers ref. SPCGA76, if the unit has the following Serial N°s:

- >WAACxxx
- >WAADxxx
- >WAAHxxx



WARNING

If your unit Serial N° is <WJxxxxx, you must drill 2 holes in the cover mounting support (see “Drilling 2 holes in the Cover Mounting Support”)

Table 3–6 Rotative Arm Fiber Covers for Sector Collimator Spare Parts

Part No.	Spare Part Name
SPHY363	Generator front cover
SPHY364	Generator rear cover
SPHY365	Rotative arm top cover
SPHY362	Rotative arm bottom cover
SPHY361	Digital sensor cover

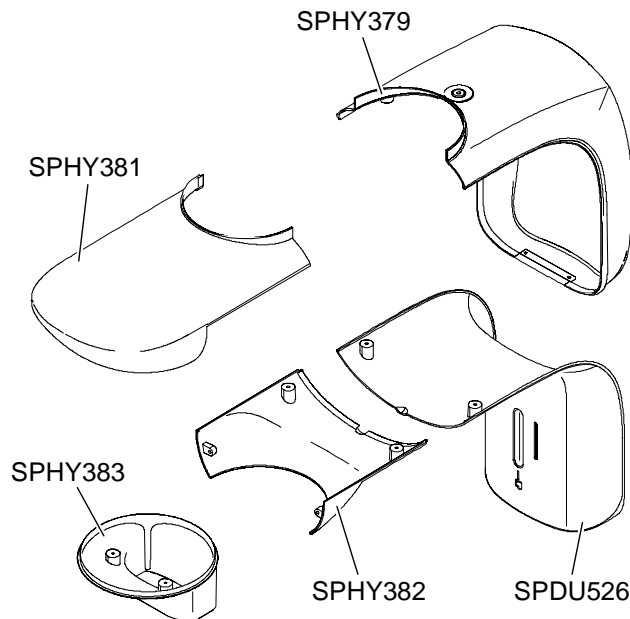
Rotative Arm “Plastic” Covers for “Sector Collimator” Spare Parts



IMPORTANT

This option is possible **ONLY** if you have already upgraded from the “Fiber” covers.

Figure 3–9 Rotative Arm Plastic Covers for Sector Collimator Spare Parts



IMPORTANT

Replace **ANY** of these “plastic” covers with **ONLY** “plastic” covers.

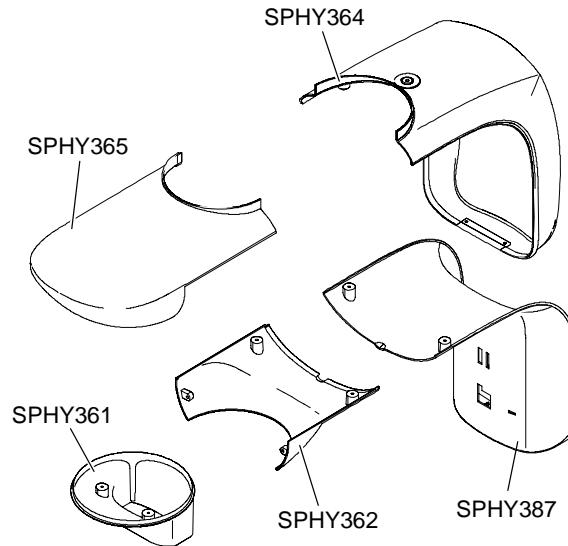
The reference number for the complete set of the above plastic covers for sector collimator is ref. SPCGA76.

Table 3–7 Rotative Arm Plastic Cover for Sector Collimator Spare Parts

Part No.	Spare Part Name
SPDU526	Generator front cover
SPHY379	Generator rear cover
SPHY381	Rotative arm top cover
SPHY382	Rotative arm bottom cover
SPHY383	Digital sensor cover

Rotative Arm “Fiber” Covers for “Blade Collimator” Spare Parts

Figure 3–10 Rotative Arm Fiber Covers for Blade Collimator Spare Parts



IMPORTANT

Replace ANY of these “fiber” covers with ONLY “fiber” covers.

Or, you CAN upgrade the COMPLETE set of fiber covers above with a COMPLETE set of plastic covers ref. SPCGA75, if the unit has the following Serial N°s:

- >WDAExxx
- >WDAFxxx
- >WDAJxxx
- >WDAKxxx



WARNING

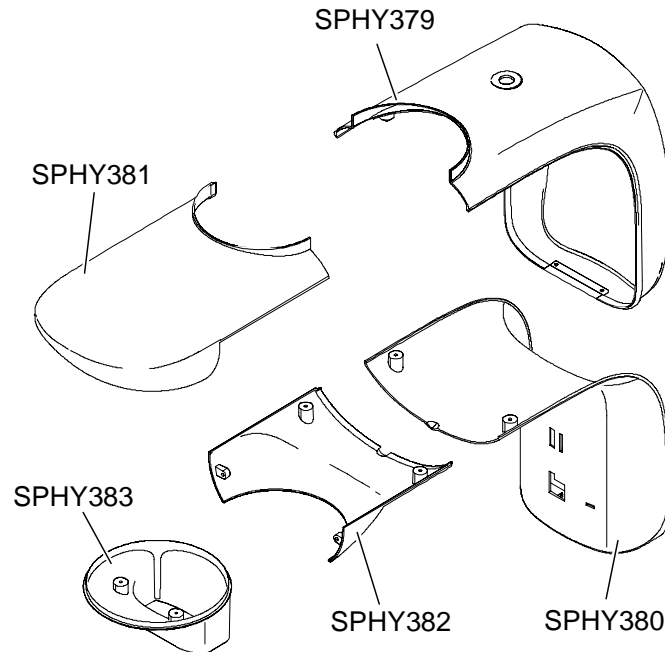
ONLY if the unit Serial N° is <WJxxxxx, you must drill 2 holes in the cover mounting support (see “Drilling 2 holes in the Cover Mounting Support”).

Table 3–8 Rotative Arm Fiber Covers for Blade Collimator Spare Parts

Part No.	Spare Part Name
SPHY387	Generator front cover
SPHY364	Generator rear cover
SPHY365	Rotative arm top cover
SPHY362	Rotative arm bottom cover
SPHY361	Digital sensor cover

Rotative Arm “Plastic” Covers for “Blade Collimator” Spare Parts

Figure 3–11 Rotative Arm Plastic Covers for Blade Collimator



IMPORTANT

Replace ANY of these “plastic” covers with ONLY “plastic” covers.

The reference number for the complete set of the above plastic covers for blade collimator is ref. SPCGA75.

Table 3–9 Rotative Arm Plastic Cover for Blade Collimator Spare Parts

Part No.	Spare Part Name
SPHY380	Generator front cover
SPHY379	Generator rear cover
SPHY381	Rotative arm top cover
SPHY382	Rotative arm bottom cover
SPHY383	Digital sensor cover

Fixed Arm Spare Parts

Figure 3–12 Fixed Arm Spare Parts

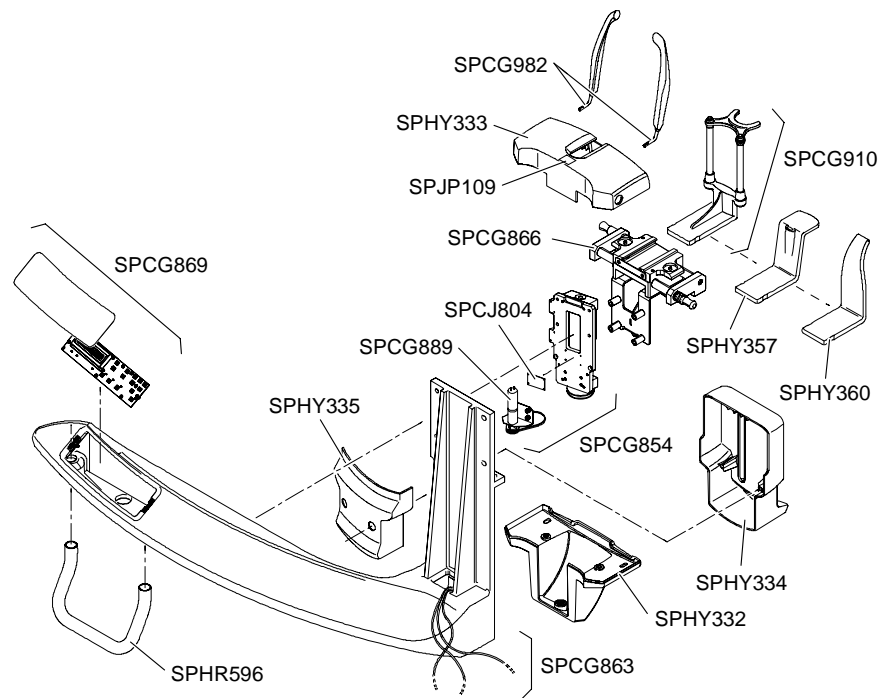


Table 3–10 Fixed Arm Spare Parts

Part No.	Spare Part Name
SPCG863	Cable kit - fixed arm
SPCG869	Control panel assembly
SPCJ804	DC motor CJ804 board
SPHR596	Hand grips
SPCG866	Chin rest base
SPCG889	Chin rest mechanical motor assembly
SPCG854	Chin rest mechanical assembly
SPHY332	Bottom chin rest mechanical assembly cover
SPHY333	Chin rest base cover
SPJP109	Chin rest label
SPHY334	Chin rest mechanical assembly front cover
SPHY335	Chin rest mechanical assembly back cover
SPCG982	Temple support
SPHY357	Chin rest bite block support (panoramic)
SPHY360	TMJ x4 nose rest
SPCG910	3D bite block and bite block support

Miscellaneous Spare Parts

Table 3–11 Miscellaneous Spare Parts

Part No.	Spare Part Name
SPCG895	Panoramic accessories box
SPCG892	Low voltage cable kit
SPCG893	Power cable kit
SPCG894	Laser cable kit
SPCG858	Screw set for arm
SPCG888	Screw set for cover
SPLP621	Microprocessor board U15 battery (black)
SPIS206	Microprocessor board U14 battery (yellow)
SPLX018	2 Limit switches for: <ul style="list-style-type: none"> • Column • XY rotation movement • Sensor rotation movement • Chin rest

Chapter 4 LIST OF SPARE PARTS

Cephalostat Spare Parts

Figure 4-1 Cephalostat Spare Parts

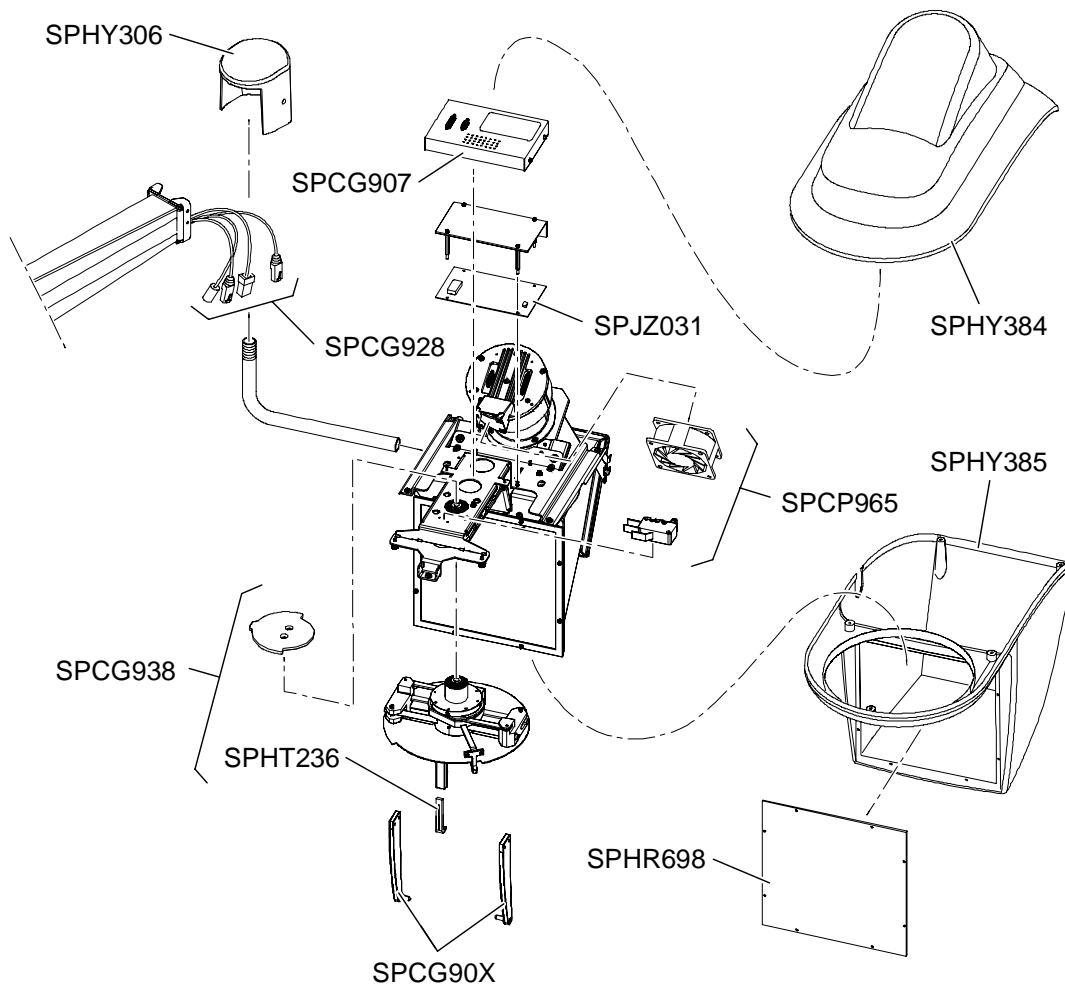


Table 4-1 Cephalostat Spare Parts

Part No.	Spare Part Name
SPCG938	Head positioning mechanical assembly
SPCG90X	Head clamps kit
SPHT236	Nasion support
SPHR698	Carbon fiber screen

Table 4–1 Cephalostat Spare Parts (Continued)

Part No.	Spare Part Name
SPCG907	Control box
SPHY306	End of the arm attachment cover
SPHY384	Head top cover
SPHY385	Head side cover
SPCG928	Cable kit for cephalostat arm
SPCP965	Fan assembly
SPJZ031	Power supply +6.5V, +15V, -15V 65W

Miscellaneous Spare Parts

Table 4–2 Miscellaneous Spare Parts

Part No.	Spare Part Name
SPCG986	Cephalostat head assembly
SPCG967	Cable kit for cephalostat head assembly
SPCG966	Fixing screws set for the cephalostat arm